

WE'RE THE COMPANY THAT BRINGS YOU MONIQUE...



AND MONIQUE BRINGS YOU THE PRISM MEDICAL C-300

Designed for use in the home, the C-300 is the most affordable ceiling lift available. Compact and weighing just over five pounds the C-300 can lift up to 300 lbs. Its unique detachable, quick-connection system makes moving it between track locations fast and easy. And it is suitable for more than the home. As the C-300 works with Prism's FST-300 and all types of installed fixed track systems, it fits a wide range of situations, as a permanent or temporary solution in residential or home care environments or even as a short-term rental.

For safe lifting and transfers the C-300's exceptional low cost and minimal maintenance requirements make it the perfect equipment choice. Ask about Prism Medical's extended warranties.

PRISM MEDICAL

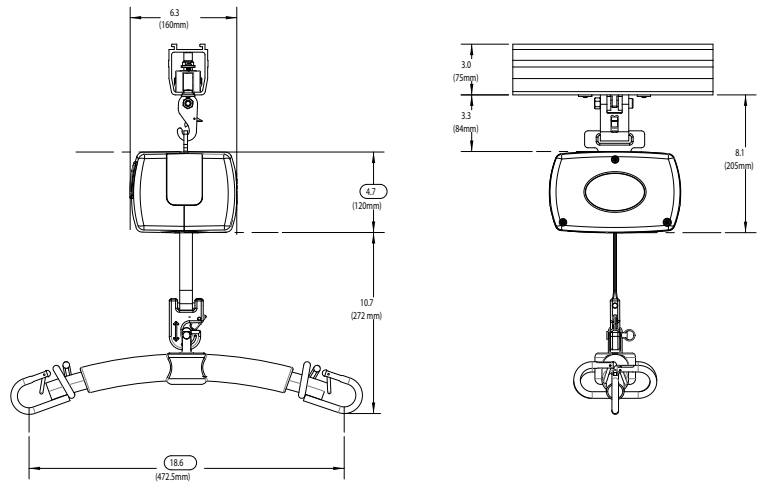
Prism Medical Ltd.

480 University Avenue, Suite 100, Toronto, ON Canada M5G 1V2 | T 416.260.2145 | 1.877.304.5438

www.prismmedical.ca

PRISM MEDICAL C-300

CEILING LIFT



WE'RE THE COMPANY THAT BRINGS YOU AFFORDABLE HOME CARE SOLUTIONS.

PRODUCT HIGHLIGHTS

- Safe working load of 300 lbs. (136 kgs.) lifts 98% of the population
- Long strap length allows transfers from low beds
- Overlapping safety mechanisms: over speed governor, built-in load limits, slack tape sensor
- Lightest, easily installed lift available
- Faster Hi-Lo operation than many other lifts
- Hand control and quick-charge plug are ergonomic and simple to use
- Carry bar fits wide range of people and sling styles
- Available with 360° detachable, track connector for easy transport
- Most affordable ceiling lift available, ask your representative about extended warranties

TECHNICAL SPECIFICATIONS

- Weighs slightly over 5 lbs.
- Tested to ISO medical device standards (ISO Z-10535) for safe lift and transfers
- Average lift speed of 1.8 inches per sec
- Charging required between 1 to 2 times a week (over 25 lift cycles at 300 lbs. load)
- Audio/visual low battery indicators
- Colour coded battery light indicates charging required; batteries always retain enough power to complete a transfer.
- New lower cost technology and innovative design reduces cost of ownership
- Detachable, quick connect option makes it easy to transfer the C-300 between locations.
- Strap length of 72 inches allows wide lift range within most 9 foot ceiling heights

PRISM MEDICAL

Prism Medical Ltd.

480 University Avenue, Suite 100, Toronto, ON Canada M5G 1V2 | T 416.260.2145 | 1.877.304.5438

www.prismmedical.ca