

WE'RE THE COMPANY THAT BRINGS YOU JARED...



AND JARED BRINGS YOU THE PRISM MEDICAL P-300

Prism Medical's portable P-300 means that even when caring for someone at home there is no excuse for lifting or transferring them in a less than safe and dignified manner. The P-300 is the most affordable ceiling lift available and fits most budgets. Able to lift up to 300 lbs the P-300 weighs less than seven lbs and requires no installation. It is easily moved between rooms or ceiling tracks, to wherever you require it.

The P-300 is reliable and exceeds the rigorous international product standards governing hospital patient lifts. And its low cost and problem-free maintenance means that whether in a temporary, rental, home or rehabilitation setting the P-300 provides the perfect solution.

PRISM MEDICAL

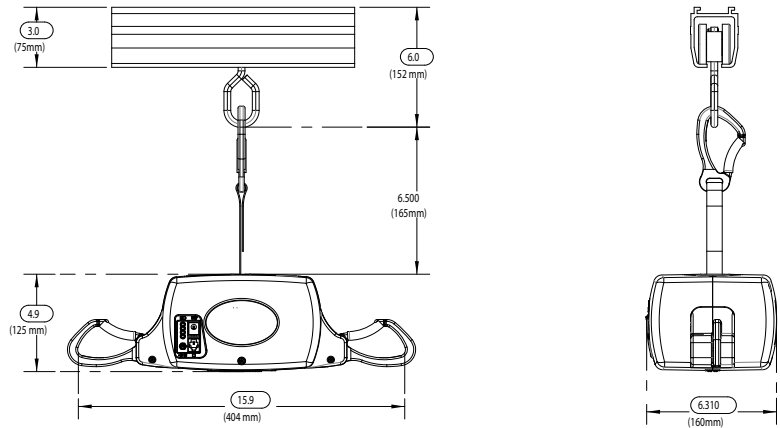
Prism Medical Ltd.

480 University Avenue, Suite 100, Toronto, ON Canada M5G 1V2 | T 416.260.2145 | 1.877.304.5438

www.prismmedical.ca

PRISM MEDICAL P-300

PORTABLE



WE'RE THE COMPANY THAT BRINGS YOU AFFORDABLE HOME CARE SOLUTIONS.

PRODUCT HIGHLIGHTS

- Ideal for temporary, permanent or rental use in residential settings
- Able to fit installed ceiling track or temporary, portable track systems
- Small compact design maximizes lift range and strap
- Length allows transfers from low beds
- Lightest, most portable lift available
- Safe working load of 300 lbs. (136 kgs.) lifts 98% of the population
- Multiple safety features: over speed governor, built-in load limits, slack tape sensor
- Faster Hi-Lo function than most other portables
- Hand control and quick-charge plug are ergonomic and simple to use
- Most affordable ceiling lift available, ask about our extended warranties

TECHNICAL SPECIFICATIONS

- Weighs less than seven lbs.
- Tested to ISO medical device standards (ISO Z-10535) for safe lift and transfers
- Average lift speed of 1.8 inches per sec
- Charging required every 2 to 3 days (20-25 lift cycles provided at 300 lbs. load)
- Audio/visual low battery indicators
- Colour coded battery light indicates charging required, batteries always retain enough power to complete a transfer
- New lower cost technology and innovative design reduces cost of ownership
- Strap length of 72 inches allows wide lift range within most nine foot ceiling heights

PRISM MEDICAL

Prism Medical Ltd.

480 University Avenue, Suite 100, Toronto, ON Canada M5G 1V2 | T 416.260.2145 | 1.877.304.5438

www.prismmedical.ca